



**Easy-Trunk**



**Porta-Trunk**

Compact, portable fume collectors effectively filter smoke, dust, and fumes from welding and grinding applications.

### **EASY-TRUNK COLLECTOR**

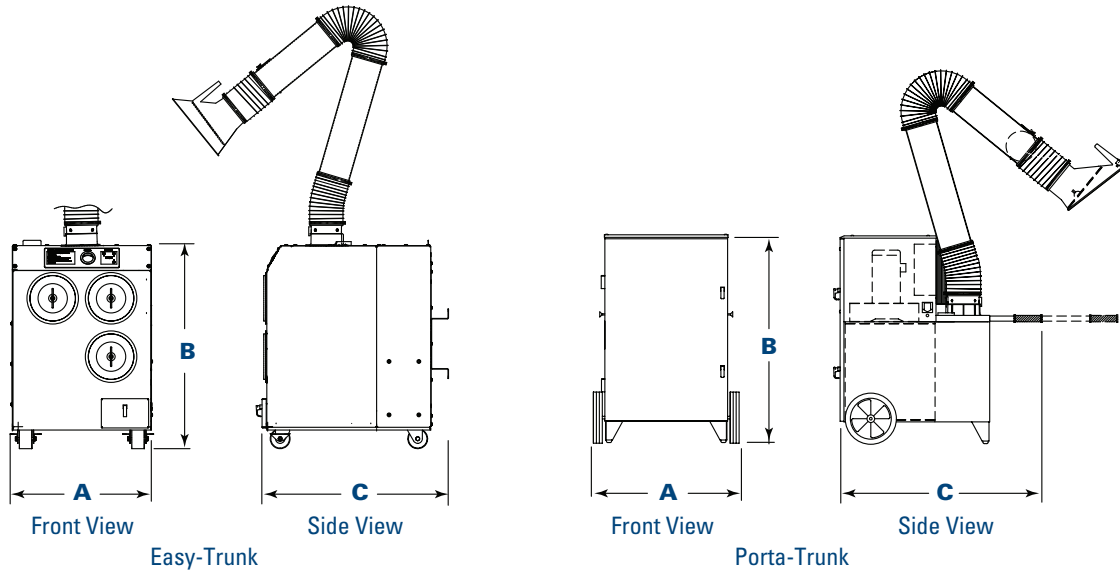
- For heavier duty or more frequent plant operations.
- Built-in pulse filter cleaning system.
- Push buttons conveniently located on front of unit and/or on fume hood.
- Ultra-Web® nanofiber filters provide high MERV\* 13 filtration efficiency per ASHRAE 52.2-2007.
- “Plug and go” operation.
- Fits easily through standard doorway.

### **PORTA-TRUNK COLLECTOR**

- For light duty or infrequent plant operations.
- Static (non-pulsed) filter system.
- Operating controls conveniently located on fume hood.
- Ultra-Web® nanofiber filters provide high MERV\* 13 filtration efficiency per ASHRAE 52.2-2007.
- “Plug and go” operation.
- Fits easily through standard doorway.

# EASY-TRUNK™ and PORTA-TRUNK™ FUME COLLECTORS

## DIMENSIONS & SPECIFICATIONS



Model	Nominal Airflow** (cfm)	Motor (hp)	Dimensions (inches)			Shipping Weight (lbs)	Sound Level dB(A)†
			A	B	C		
Easy-Trunk	750	1.5	28.0	40.9	38.6	400	70
Porta-Trunk	780	1.5	27.5	40.3	35.4	340	75

## STANDARD FEATURES & OPTIONS

STANDARD	OPTIONAL
Ultra-Web® FR cartridge filters	Extraction arm: 6 in. x 10 ft.
1.5 hp TEFC motor	
115/60/1 voltage	
Extraction arm: 6 in. x 6.5 ft.	
Hood-mounted light with switch	
Fully assembled and wired	
10-year warranty	

\* The Minimum Efficiency Reporting Value (MERV) of this filter cartridge has been determined through independent laboratory testing using ASHRAE 52.2 (2007) test standards. The MERV rating was determined at a face velocity of 118 feet per minute and loading up to four inches water gauge. Actual efficiency of any filter cartridge will vary according to the specific application parameters. Dust concentration, airflow, particle characteristics, and pulse cleaning methods all affect filtration efficiency.

\*\* Based on clean filters.

† Sound level per ANSI S12.34.1988. The actual measured sound level will vary, depending on background noise and room conditions.

Significantly improve the performance of your collector with genuine Donaldson Torit replacement filters and parts. [Browse our catalog at donaldson.com](https://www.donaldson.com)



Donaldson Company, Inc.  
Torit  
P.O. Box 1299  
Minneapolis, MN  
55440-1299 U.S.A.

Tel 800-365-1331 (USA)  
Tel 800-343-3639 (within Mexico)

[donaldson@donaldson.com](mailto:donaldson@donaldson.com)  
[donaldson.com](https://www.donaldson.com)



Data Sheet Easy-Trunk/Porta-Trunk (08/11)

© 1998 Donaldson Co., Inc. All Rights Reserved. Information in the document is subject to change without notice. Donaldson Torit and Ultra-Web are registered trademarks of Donaldson Company, Inc. Contains Donaldson proprietary technology.