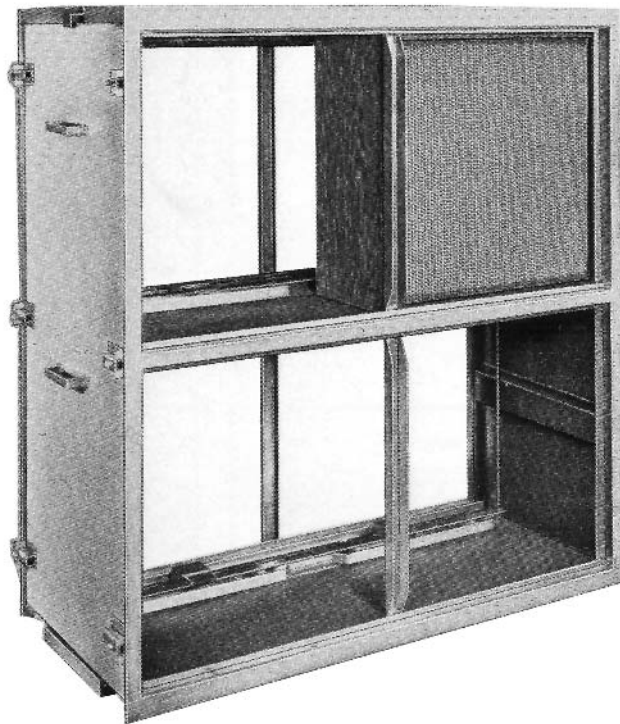


Ultra-Lok™ Afterfilter Housing System

Provides a sturdy housing for HEPA afterfilters.

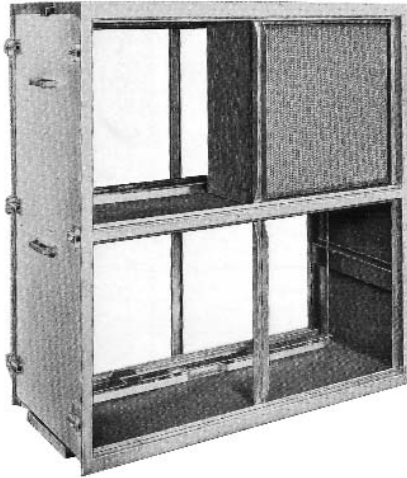


2x2 Ultra-Lok housing with a prefilter in the upper-right corner.
Typically installed on the exhaust of the fan.

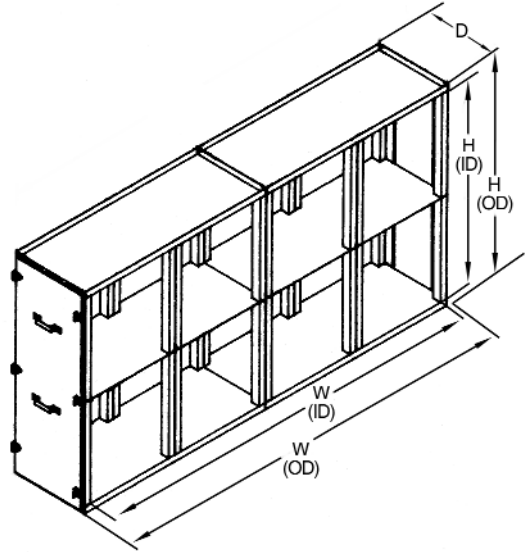
- Modular construction specifically designed to integrate with any Donaldson® Torit® dust collection system.
- Provides backup filtration in the event of dust collector leakage.
- Pressure gauge identifies service requirements for better performance monitoring capabilities.
- Access from both sides provides easy filter changeout with no tools.
- HEPA final filter provides 99.97% efficiency on 0.3 µm particles.
- Configured to hold 1, 2, 3, 4, 6, 8, 9, or 12 HEPA filters and Air-O-J™ prefilters.
- Compact, self-contained unit designed for flexible floor placement to conserve space.
- Durable construction
 - 14 gauge carbon resists rust and corrosion.
- Recirculates clean air, eliminating the need for costly make-up air.

Ultra-Lok™ Afterfilter Housing System

Dimensions & Specifications



2 x 2 Ultra-Lok Housing



2 x 4 Ultra-Lok Housing

| Modules | | Capacity (cfm) | Dimensions (inches) | | | | |
|---------|------|-------------------|---------------------|-------|-------|-------|-------|
| High | Wide | | Height | | Width | | Depth |
| | | | ID | OD | ID | OD | |
| 1 | 1 | 2,000 | 24.19 | 28.19 | 23.86 | 26.62 | 23 |
| 1 | 2 | 4,000 | 24.19 | 28.19 | 48.05 | 50.81 | 23 |
| 1 | 3 | 6,000 | 24.19 | 28.19 | 72.15 | 74.91 | 23 |
| 1 | 4 | 8,000 | 24.19 | 28.19 | 96.24 | 99.00 | 23 |
| 2 | 1 | 4,000 | 49.50 | 53.50 | 23.86 | 26.62 | 23 |
| 2 | 2 | 8,000 | 49.50 | 53.50 | 48.05 | 50.81 | 23 |
| 2 | 3 | 12,000 | 49.50 | 53.50 | 72.15 | 74.91 | 23 |
| 2 | 4 | 16,000 | 49.50 | 53.50 | 96.24 | 99.00 | 23 |
| 3 | 1 | 6,000 | 74.81 | 78.81 | 23.86 | 26.62 | 23 |
| 3 | 2 | 12,000 | 74.81 | 78.81 | 48.05 | 50.81 | 23 |
| 3 | 3 | 18,000 | 74.81 | 78.81 | 72.15 | 74.91 | 23 |
| 3 | 4 | 24,000 | 74.81 | 78.81 | 96.24 | 99.00 | 23 |

The unit is designed to handle up to 3" of positive static pressure. All units include housing, HEPA filters and Air-O-J prefilters. Bottom and top interface flanges for customer ductwork are 2" wide and side interface flanges are 1-3/8" wide. All interface flanges are located outside of the airstream. Filters are 24" x 24" nominal.

Equipment Options

- Gauge Kit, 4228601, includes Magnehelic®* gauge, tubing, and connection fittings.

*Magnehelic is a registered trademark of Dwyer Instruments, Inc.



Donaldson Company, Inc.
Industrial Air Filtration
P.O. Box 1299
Minneapolis, MN 55440
Tel 800-365-1331(USA)
Tel 800-343-3639 (within Mexico)
dustmktg@mail.donaldson.com
www.donaldson.com

Significantly improve the performance of your collector with genuine Donaldson Torit replacement filters and parts.

Browse our catalog at www.donaldson.com

Information in this document is subject to change without notice.

© 1991 Donaldson Co., Inc.
Printed in U.S.A. on recycled paper

Data Sheet Ultra-Lok (02/07)

